

## UK\_DS\_LC-TT drop

### LC-TT (Twist-On Twist-Off) drop cable 5/2mm



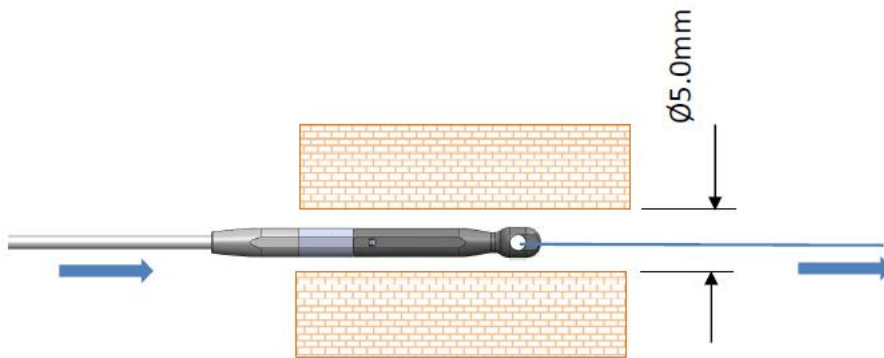
After assembling the connector bodies and stripping the outer jacket:



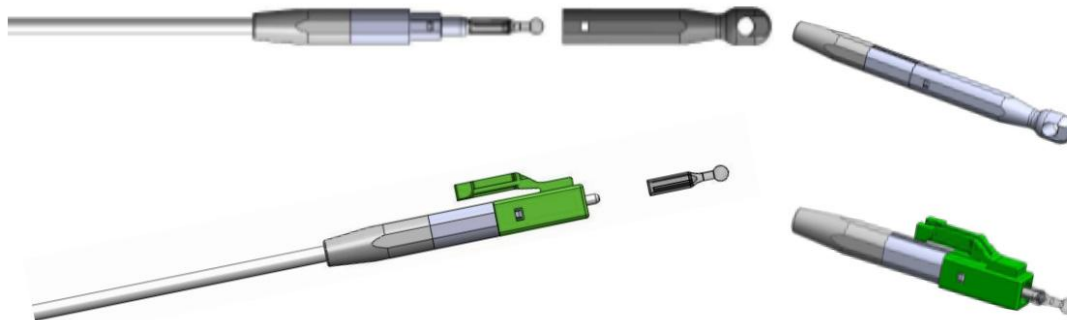
### Product Description

LC-TT drop cable is an excellent and convenient solution for home installations that require a through-wall pass and it does not require splicing. It is suitable for installations both from outside to inside and for internal use only.

The LC-TT is a high-performance simplex LC connector with a unique removable latch. The front body of the LC-TT™ can be twisted on and off the main connector body allowing the connector to be fed through a 5mm hole.



The LC-TT™ can be fitted with LC Quick Release (QR) front latch or the standard Clip front latch. With the QR (Quick Release) latch fitted the connector will disengage at loads up to 25N.



Available as PC or APC for a variety of fibre and cable sizes, the LC-TT™ is ideal for use where it is important for the assembly to dis-connect before the jumper or equipment is permanently damaged.

## UK\_DS\_LC-TT drop

### Design Features

- ⊗ Industry standard LC interface compliant and compatible with all LC adaptors
- ⊗ LC Quick Release Latch option
- ⊗ Connectors PC and APC options
- ⊗ Options for different fibres and performance grades
- ⊗ Designed for various drop cables diameters single and dual jacket
- ⊗ Patent applied

### Application Notes

- ⊗ Through the wall installations
- ⊗ Equipment - CPE Interconnect
- ⊗ In Home Fibre Installations
- ⊗ FTTH Distribution & Cross connects

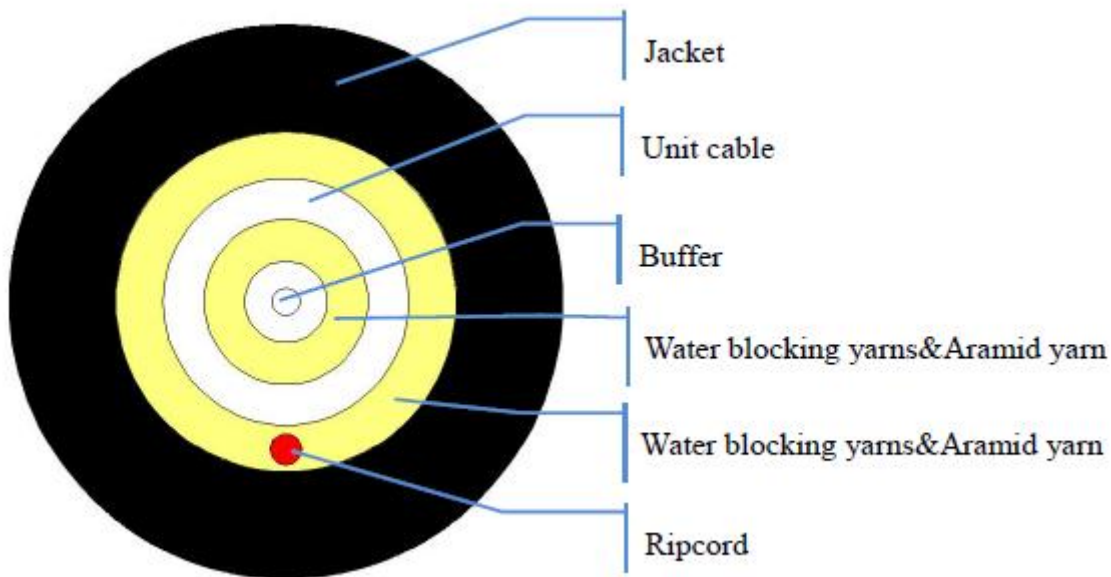
### Connector Specification

	LC-TT™*	PERFORMANCE
Plug Connector	IEC 61754-20	LC-TT [Twist on Twist off]
Connector Material	Metal / Plastic	Stainless Steel / TPE
Optical Alignment	Physical Contact	PC & APC options
Ferrule	Zirconia Ceramic 1.25mm	ID125.5 / 0.5µm
Fibre Channels	Simplex	One
Boot	Neoprene sleeve 18~20mm, Green	
Pulling Cap	Eyelet / Hole ~Ø2mm, Green	
<b>Optical Performance - subject to termination method and fibre grade</b>		
Insertion Loss Ave/Master	IEC63100-3-4	≤0.12dB
Insertion Loss Acceptance/Master	IEC63100-3-4	≤0.15dB
Insertion Loss Ave/Random	IEC63100-3-34	≤0.15dB
Insertion Loss 97% Random	IEC63100-3-34	≤0.25dB
Return Loss	IEC 61300-3-6	UPC>55dB; APC>65dB
Repeatability	IEC 61300-2-2	±0.2dB / 500 matings
Wavelength(s)		1310 & 1550nm
End Face Geometry Section 5	IEC61755-3-1 IEC61755-3-2	97% Conformance
End Face Criteria Section 6	IEC63100-3-35	100% Test / 97% Conformance
<b>Mechanical Performance - subject to termination method and fibre grade</b>		
Vibration	IEC 61300-2-1	10Hz – 55Hz
Durability	IEC 61300-2-2	x 500 matings
Impact	IEC 61300-2-12	5 Drops (1.5m)
Cable Retention	IEC 61300-2-4	70N at 4x90° axis min.100mm
Fibre Retention	IEC 61300-2-4	up to 30N [fibre dependent]
Pull Test: 35N Minimum		
100% Factory inspection & cleaning		
<b>Environmental Performance - subject to termination method and fibre grade</b>		
Operational Temperature	IEC 61300-2-22	±0.2dB (-40°C to +85°C)

This document is intended as a guide only. Whilst the information it contains is believed to be correct, Emtelle can take no responsibility for actions taken based on the information contained in this document. Emtelle reserves the right to make changes to this document without notice. Purchase of Emtelle products does not convey any licence under patents or other intellectual property rights owned by third parties. All sales of product are subject to Emtelle's terms and conditions of sale only, which can be found on Emtelle's website. This document is protected by copyright (c) Emtelle Group [2022]. The products depicted are protected by intellectual property rights. Any unauthorized copying of this document or of our products is prohibited and Emtelle UK Limited will take action to prevent any infringement of its rights and to claim damages for the loss that it suffers. [www.emtelle.com](http://www.emtelle.com)

## UK\_DS\_LC-TT drop

### Cable Specification



Cable type	Universal dual jacket drop
Fiber type	G657.A2 or G675.B3 (or depend on customer's request)
Fibre count	1
Tight buffer color	Blue (or depend on customer's request)
Tight buffer material	LSZH
Tight buffer diameter	0.90±0.05mm
Inner jacket	White RAL 9003 (UV resistance)
Inner jacket size	∅2mm±0.1mm
Thickness	0.3± 0.05 mm
Inner jacket material	LSZH Cca s1a d0 a1 B2ca (s1a d0 a1) pending certification
Strength member	Aramid yarns
Outer jacket	White RAL 9003 / Black RAL9017 (UV resistance)
Cable diameter	∅5mm±0.2mm
Thickness	1.3± 0.1mm
Strength member	Aramid yarns
Cable weight	25g/m
Max. tensile strength	Short-term 500N Long-term 180N
Min. bending radius(mm)	Dynamic 20D Static 10D
Crush resistance(N/100mm)	Short-term 500 Long-term 100
Storage temperature	-20°C~+70°C
Installation temperature	-20°C~+70°C
Operation temperature	-20°C~+70°C

This document is intended as a guide only. Whilst the information it contains is believed to be correct, Emtelle can take no responsibility for actions taken based on the information contained in this document. Emtelle reserves the right to make changes to this document without notice. Purchase of Emtelle products does not convey any licence under patents or other intellectual property rights owned by third parties. All sales of product are subject to Emtelle's terms and conditions of sale only, which can be found on Emtelle's website. This document is protected by copyright (c) Emtelle Group [2022]. The products depicted are protected by intellectual property rights. Any unauthorized copying of this document or of our products is prohibited and Emtelle UK Limited will take action to prevent any infringement of its rights and to claim damages for the loss that it suffers. [www.emtelle.com](http://www.emtelle.com)

## UK\_DS\_LC-TT drop

Standard lengths	2m, 3m, 5m, 10m, 20m, 30m, 40m, 50m (or depend on customer's request)	
Fiber type	G657A2 1310/1550nm	G657B3 1310/1550nm
Attenuation(dB/km)	0.35/0.21	0.35/0.21
Zero dispersion slope	$\leq 0.092$ ps/(km*nm <sup>2</sup> )	$\leq 0.092$ ps/(km*nm <sup>2</sup> )
Dispersion(1285~1340nm)	-3.5~3.5 ps/(km*nm)	-3.5~3.5 ps/(km*nm)
Mode field diameter @1310nm	8.4~9.2 $\mu$ m	8.2~9.0 $\mu$ m
Cutoff wavelength cable (nm)	$\leq 1260$	$\leq 1260$
Min bend radius(mm)	7.5	5
Cladding diameter( $\mu$ m)	125.0 $\pm$ 0.7	125.0 $\pm$ 0.7
Coating diameter( $\mu$ m)	240 $\pm$ 5	240 $\pm$ 5

## Packaging and Labelling

All products suitably packaged in recyclable materials and clearly labelled with Emtelle Product Code and description where possible.

## Accessories

LC sWIPE Dust Cap is designed to fit over its simplex LC-QR™ and LC-TT™ connectors. It protects the connector against dust and other contaminants and, importantly, provides a means to quickly clean the connector on-site before use. Incorporating this cleaning functionality in the dust cap means the technician does not need to carry a cleaning kit when making the final connection between the wall outlet and broadband CPE. The cleaning pad is revealed by flipping open the dust cap top. Wipe the ferrule tip 3 times across the cleaning pad to clean it. Note that this is a onetime operation.



## END OF SPECIFICATION

This document is intended as a guide only. Whilst the information it contains is believed to be correct, Emtelle can take no responsibility for actions taken based on the information contained in this document. Emtelle reserves the right to make changes to this document without notice. Purchase of Emtelle products does not convey any licence under patents or other intellectual property rights owned by third parties. All sales of product are subject to Emtelle's terms and conditions of sale only, which can be found on Emtelle's website. This document is protected by copyright (c) Emtelle Group [2022]. The products depicted are protected by intellectual property rights. Any unauthorized copying of this document or of our products is prohibited and Emtelle UK Limited will take action to prevent any infringement of its rights and to claim damages for the loss that it suffers. [www.emtelle.com](http://www.emtelle.com)